

BILGE STRAINER

Code	NPT Size
BS-750	3/4"
BS-1000	1"
BS-1250	1-1/4"
BS-1500	1-1/2"
BS-2000	2"
BS-2500	2-1/2"
BS-3000	3"

- Use for preventing large debris in the bilge area from entering bilge pumps.
- Ideal for use with GROCO SBV-P series Safety Seacock with side port.
- Threaded NPT for use with straight or 90o pipe to hose adaptors.



EDSON STRAINERS & FOOT VALVES

Code	Description	Size
111BS-150	Bronze Strainer	1-1/2"
111BS-200	Bronze Strainer	2"
130N-150	Bronze Foot Valve	1-1/2"
130N-200	Bronze Foot Valve	2"



BALL VALVE / STRAINER COMBO

Code	Size	Size
BVS-750	Standard	3/4"
BVS-750-M	Monel Basket	3/4"
BVS-1000	Monel Basket	1"
BVS-1000-M	Monel Basket	1"
BVS-1500	Standard	1-1/2"
BVS-1500-M	Monel Basket	1-1/2"

- A water strainer and Seacock all in one unit
- Square hole in handle accepts standard ratchet.
- Space saving design with strainer and integral seacock.
- Just one component to install and just one bilge location to crawl into for winterization and maintenance.
- No inside tie rods.
- Full flow ball valve features stainless steel ball and stem.
- Strainer has screw on/off cap.
- #304 stainless steel filter basket.



PUMP INLET STRAINERS

Code	Description	NPT Size
WSB-750-M	Monel Basket	3/4"
WSB-750-P	Plastic Basket	3/4"
WSB-1000-M	Monel Basket	1"
WSB-1000	Fresh Water Pump Filter 40-Mesh	1"
WSB-1250-M	Monel Basket	1-1/4"

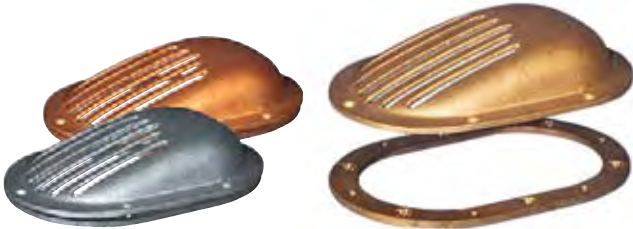
Protect fresh water pumps from debris. White Nylon strainer head and clear plastic sight glass. Glass unscrews for filter basket cleaning. Mount bracket included.



OUTBOARD HULL STRAINERS

Code	Material	Size
SC-1000	Bronze	1"
SC-1500	Bronze	1-1/2"
SC-2500	Bronze	2-1/2"
SC-4000	Bronze	4"
SC-1000-AL	Aluminium	1"
SC-1500-AL	Aluminium	1-1/2"
SC-2500-AL	Aluminium	2-1/2"
SC-4000-AL	Aluminium	4"

Mount the ring permanently. Fasten the strainer to the ring and remove as often as needed. Scoop-to-Ring fasteners are included. Aluminium models may be welded or screwed to aluminium hulls.



SLOTTED HULL STRAINERS

Code	Material	Max Thru Hull Size
ASC-1250	Bronze	1-1/4"
ASC-2000	Bronze	2"
ASC-3000	Bronze	3"
ASC-6000	Bronze	4"
ASC-1250-AL	Aluminium	1-1/4"
ASC-2000-AL	Aluminium	2"
ASC-3000-AL	Aluminium	3"
ASC-6000-AL	Aluminium	4"

Access to the thru-hull fitting and seacock beneath GROCO hull strainers is made easy with the patented access door design. Now there is no need to remove the entire strainer to clear nuisance marine growth.



MONEL RAW WATER STRAINERS

Code	Size
ARG-750	3/4"
ARG-1000	1"
ARG-1250	1-1/4"
ARG-1500	1-1/2"
ARG-2000	2"
ARG-2500	2-1/2"
ARG-3000	3"

- Improved sealing.
- Improved filter basket.
- Improved mount system.
- 304 stainless steel filter basket is standard.
- Monel basket.
- Improved design secures basket.
- No tie rods or gaskets.
- O-rings seal all mating surfaces.
- Easy service with screw-on cap.
- Mounting hardware is included.
- Bonding connection.



PERFORATED HULL STRAINERS

Code	Material	Max Thru Hull Size
APHS-1250-1	Bronze	1-1/4"
APHS-2000-1	Bronze	2"
APHS-3000-1	Bronze	3"
APHS-6000-1	Bronze	4"
APHS-1250-AL	Aluminium	1-1/4"
APHS-2000-AL	Aluminium	2"
APHS-3000-AL	Aluminium	3"
APHS-6000-AL	Aluminium	4"

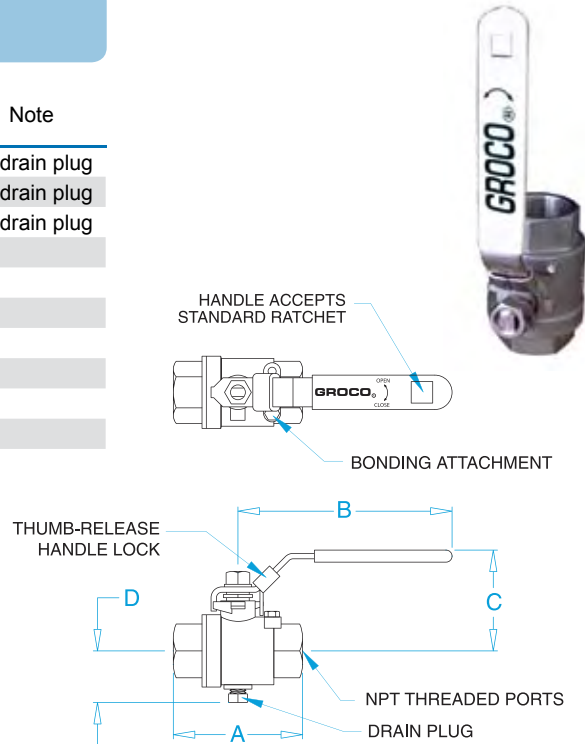
Access to the thru-hull fitting and seacock beneath GROCO hull strainers is made easy with the patented access door design. Now there is no need to remove the entire strainer to clear nuisance marine growth.



SS INLINE BALL VALVES

Code	Pipe Size	Dimensions (mm)				Weight	Note
		A	B	C	D		
BV-250-S	1/4"	56	106	48	15	275 g	no drain plug
BV-375-S	3/8"	56	106	48	15	260 g	no drain plug
BV-500-S	1/2"	66	126	58	33	300 g	no drain plug
BV-750-S	3/4"	76	127	61	35	580 g	
BV-1000-S	1"	85	127	64	41	710 g	
BV-1250-S	1-1/4"	97	154	76	46	1.3 kg	
BV-1500-S	1-1/2"	105	157	84	53	1.5 kg	
BV-2000-S	2"	122	188	104	61	2.5 kg	
BV-2500-S	2-1/2"	146	250	125	70	4.7 kg	
BV-3000-S	3"	182	250	136	102	9.8 kg	

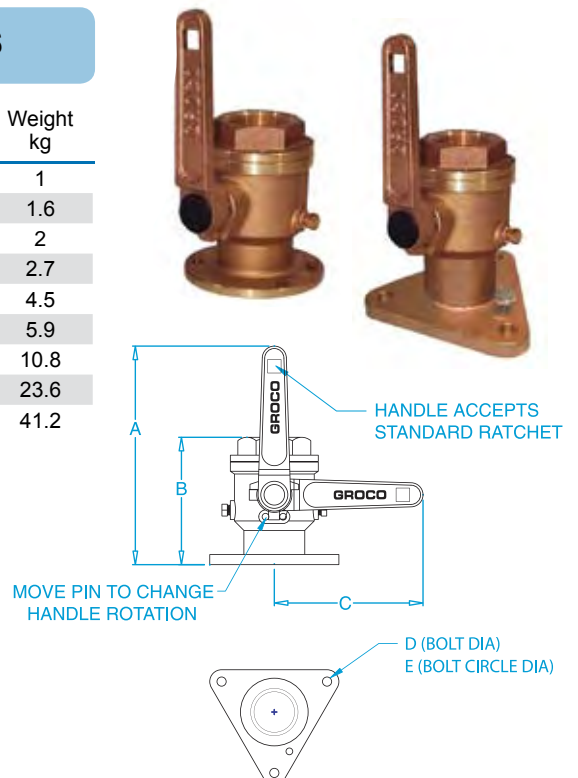
- Handle has square hole to accept standard ratchet (helps you to reach hard-to-reach valves and eases actuation of hard to operate valves).
- Handle has thumb-release locking mechanism to ensure that the valve remains in the open or closed position you have selected until you wish to change it.
- 1000 WOG Rated.
- 304 SS handle and trim.
- 316 SS body.
- Bonding Attachment.
- PTFE seats and seals.
- Full Flow.



FULL FLOW - FLANGED BALL TYPE SEACOCKS

Code	Connection	Dimensions (mm)						Weight kg
		A	B	C	D	E (bolts)	F	
BV-750	3/4" NPS	146	89	71	97	1/4" (6)	58	1
BV-1000	1" NPS	168	105	76	110	1/4" (6)	62	1.6
BV-1250	1-1/4" NPS	178	114	89	110	5/16" (8)	76	2
BV-1500	1-1/2" NPS	203	118	105	140	5/16" (8)	86	2.7
BV-2000	2" NPS	213	133	130	140	3/8" (9)	108	4.5
BV-2500	2-1/2" NPS	262	171	149	240	3/8" (9)	124	5.9
BV-3000	3" NPS	343	197	173	240	3/8" (9)	147	10.8
BV-4000	4" NPS	488	244	234	360	1/2" (12)	203	23.6
BV-5000	5" NPS	505	284	234	360	5/8" (15)	280	41.2

- Patented selectable rotation handle accepts standard ratchet - for hard-to-reach valves, and to ease operation of hard to actuate valves.
- Full pipe-size flow.
- Stainless steel ball and stem.
- PTFE seats and seals.
- Serviceable while installed.
- Base has bonding attachment.
- Drain Plug on both sides for efficient winterization.

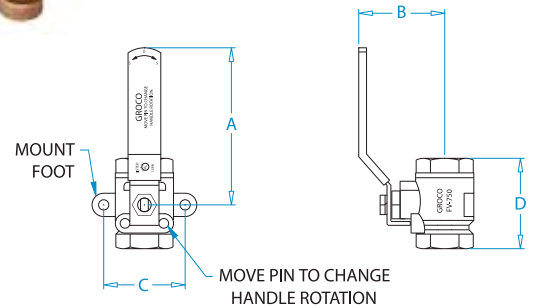


FUEL VALVES - FV SERIES

ABYC H33.9.2 states that fuel system valves must have an independent means of support. That's why regular in-line valves are not appropriate for fuel systems applications.

- Patented selectable handle rotation
- Full flow
- Mount foot included
- Stainless steel stem, handle and hardware
- PTFE seats and seals

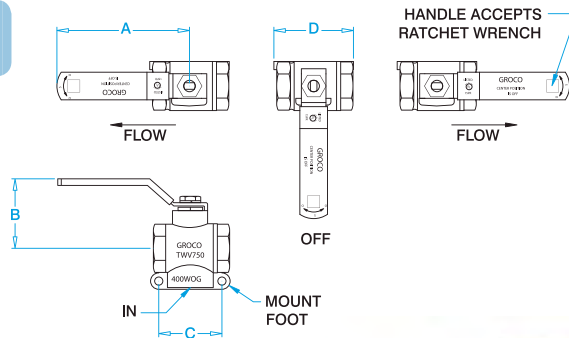
Code	NPT	Dimensions (mm)				Weight (g)
		A	B	C	D	
FV-250	1/4"	104	56	39	45	235
FV-375	3/8"	104	56	39	45	226
FV-500	1/2"	104	56	47	52	370
FV-750	3/4"	104	56	53	60	480



THREE WAY VALVES - TWV SERIES

3-way valve operates logically - The handle points to the direction of flow.

- Handle Rotates a full 180.
- Center position is off.
- Mount foot included.
- Full flow.
- Stainless steel handle and hardware.
- PTFE seats and seals.
- TWV-1500 size is ideal for waste systems.



Code	NPT	Dimensions (mm)				Weight
		A	B	C	D	
TWV-500	1/2"	104	54	48	61	490 g
TWV-750	3/4"	104	56	49	62	560 g
TWV-1500	1-1/2"	152	84	80	100	2.5 kg



NPT - FULL FLOW HOSE ADAPTORS

Code	Type	NPT Size	Hose ID
FF-750	Straight	3/4"	1"
FF-1000	Straight	1"	1-1/4"
FF-1250	Straight	1-1/4"	1-1/2"
FF-1500	Straight	1-1/2"	1-3/4"
FF-2000	Straight	2"	2-1/4"
FF-2500	Straight	2-1/2"	2-3/4"
FF-3000	Straight	3"	3-1/4"
FFC-500	90° Bend	1/2"	3/4"
FFC-750	90° Bend	3/4"	1"
FFC-1000	90° Bend	1"	1-1/4"
FFC-1250	90° Bend	1-1/4"	1-1/2"
FFC-1500	90° Bend	1-1/2"	1-3/4"
FFC-2000	90° Bend	2"	2-1/4"
FFC-2500	90° Bend	2-1/2"	2-3/4"
FFC-3000	90° Bend	3"	3-1/4"



BRONZE THRU HULLS

Code	With Nut	Size
TH-750-W	Yes	3/4"
TH-1000-W	Yes	1"
TH-1250-W	Yes	1-1/4"
TH-1500-W	Yes	1-1/2"
TH-2000-W	Yes	2"
TH-2500-W	Yes	2-1/2"
TH-3000-W	Yes	3"

Locking nut includes bonding screw.

To order without locking nut replace the W in the product code with an L. (eg TH-750-L)

Code	Description
TH-751	3/4" Locknut
TH-1001	1" Locknut
TH-1251	1-1/4" Locknut
TH-1501	1-1/2" Locknut
TH-2001	2" Locknut
TH-2501	2-1/2" Locknut
TH-3001	3" Locknut



SCOOP THRU HULL - WITH NUT

Code	NPS Pipe Size
STH-1500-W	1-1/2"

Includes lock-nut with bonding screw



NPT - PIPE TO HOSE ADAPTOR

Code	Type	Size
PTH-1250	Straight	1-1/4"
PTH-1500	Straight	1-1/2"
PTHC-1250	90 Degree Bend	1-1/4"
PTHC-1500	90 Degree Bend	1-1/2"

need pic of straight one also



NPT - STANDARD FLOW HOSE ADAPTORS

Code	Type	NPT Size	Hose ID
PTH-500	Straight	1/2"	1/2"
PTH-5062	Straight	1/2"	1/2" or 5/8"
PTH-750	Straight	3/4"	3/4"
PTH-1000	Straight	1"	1"
PTH-1125	Straight	1-1/4"	1-1/8"
PTH-1250	Straight	1-1/4"	1-1/4"
PTH-1500	Straight	1-1/2"	1-1/2"
PTH-2000	Straight	2"	2"
PTH-2500	Straight	2-1/2"	2-1/2"
PTH-3000	Straight	3"	3"
PTH-4000	Straight	4"	4"
PTH-5000	Straight	5"	5"
PTHC-5062	90° Bend	1/2"	1/2" or 5/8"
PTHC-750	90° Bend	3/4"	3/4"
PTHC-1000	90° Bend	1"	1"
PTHC-1125	90° Bend	1-1/4"	1-1/8"
PTHC-1250	90° Bend	1-1/4"	1-1/4"
PTHC-1500	90° Bend	1-1/2"	1-1/2"
PTHC-2000	90° Bend	2"	2"
PTHC-2500	90° Bend	2-1/2"	2-1/2"
PTHC-3000	90° Bend	3"	3"
PTHC-4000	90° Bend	4"	4"
PTHC-5000	90° Bend	5"	5"



RAW WATER MANIFOLDS - RWM SERIES

While we do not recommend the practice of supplying raw or filtered water to multiple consumers from a single inlet source (ie: toilets, washdown pumps, air conditioners, generators, etc) we do recognize that it is common practice to do so, particularly when one or more of the consumers is an intermittent consumer.

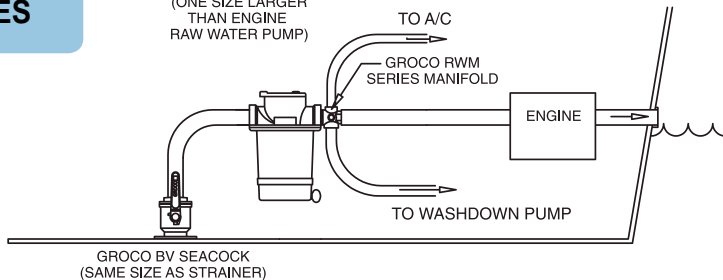
If this is your intention, protect your equipment by installing a GROCO RWM Raw Water Manifold. You will be guided to use proper pipe or hose sizes, thus reducing the possibility of imposing dangerous restrictions to one or all of the consumers.

The barbed outlet is connected to the primary consumer (your main engine, for example) and is smaller than the threaded inlet which screws into a seacock or strainer outlet of the next larger pipe size (see sample installations). The larger threaded end requires that a larger strainer or inlet seacock be used, thus assuring adequate flow to all consumers.

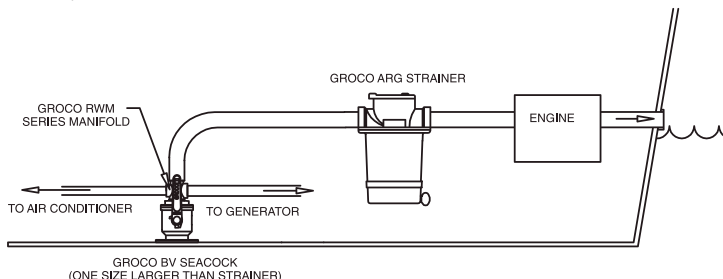
The combined cross-sections of the primary consumer plus the threaded secondary consumer connections (to A/C and generator, for example) does not exceed the cross-section of the threaded inlet end.



GROCO ARG STRAINER
(ONE SIZE LARGER
THAN ENGINE
RAW WATER PUMP)

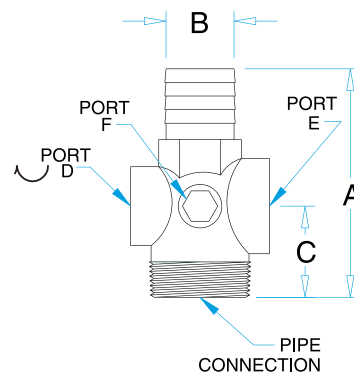


▲ Sample Installation shows RWM Manifold used to distribute filtered water



▲ Sample Installation shows RWM Manifold used to distribute raw (unfiltered) water

Code	A (mm)	B (mm)	C (mm)	Pipe	Port D (NPT)	Port E (NPT)	Port F (NPT)
RWM-1250	95	25	35	1-1/4" NPT	1/2"	1/2"	1/4"
RWM-1500	105	32	40	1-1/4" NPT	3/4"	3/4"	1/4"
RWM-1500-1	105	32	40	1-1/2" NPT	1/2"	1"	1/4"
RWM-2000	118	38	51	2" NPT	3/4"	3/4"	1/4"
RWM-2000-1	118	38	51	2" NPT	3/4"	1"	1/4"
RWM-2500	127	51	51	2-1/2" NPT	3/4"	1"	1/4"
RWM-3000	140	64	64	3" NPT	1"	1-1/4"	1/4"



EXTRA LONG THRU HULL

Code	With Nut	Size
THXL-750-W	Yes	3/4" (19mm)
THXL-1250-W	Yes	1-1/4"
THXL-1500-W	Yes	1-1/2"
THXL-2000-W	Yes	2"

For installations where hull thickness dictates the use of a longer fitting. The Lock-nut has a bonding connection.

To order without locking nut replace the W in the product code with an L. (e.g. THXL-750-L)

